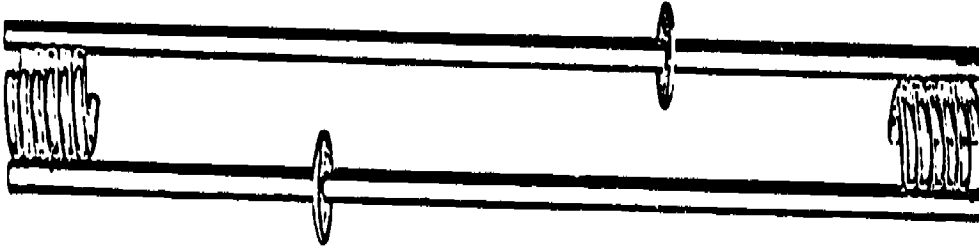


Form Ties

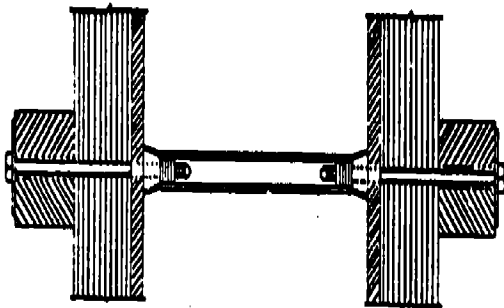
(CONTINUED)

WATERSEAL COIL TIE

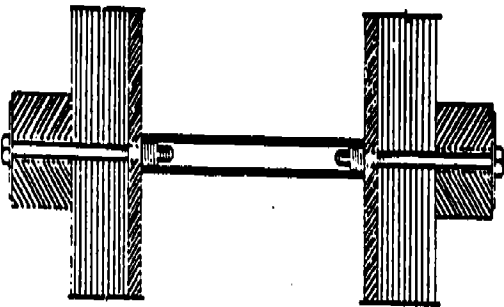


Form Clamps (Buttons) Used with Plain Round Mild Steel Rods

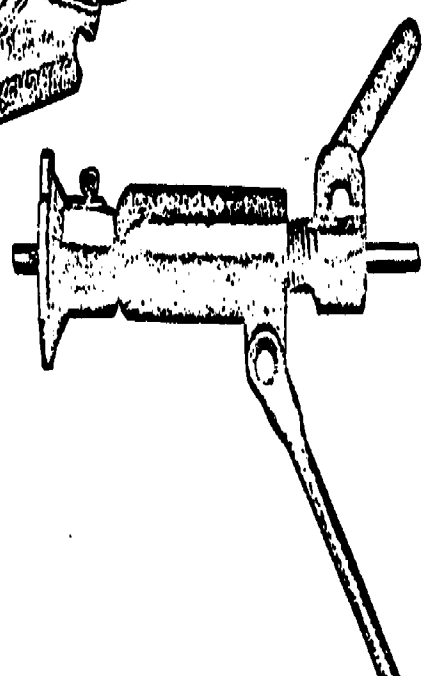
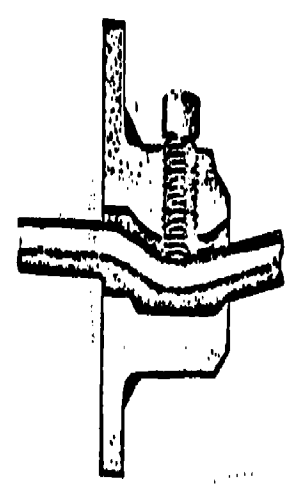
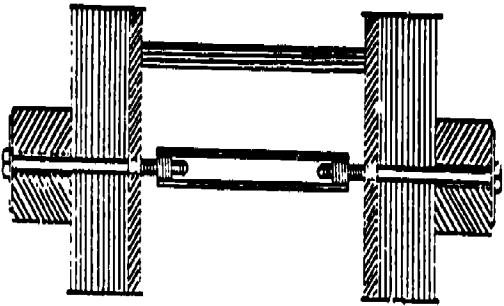
COIL TIE with SPREADER CONE



COIL TIE as SPREADER and TIE

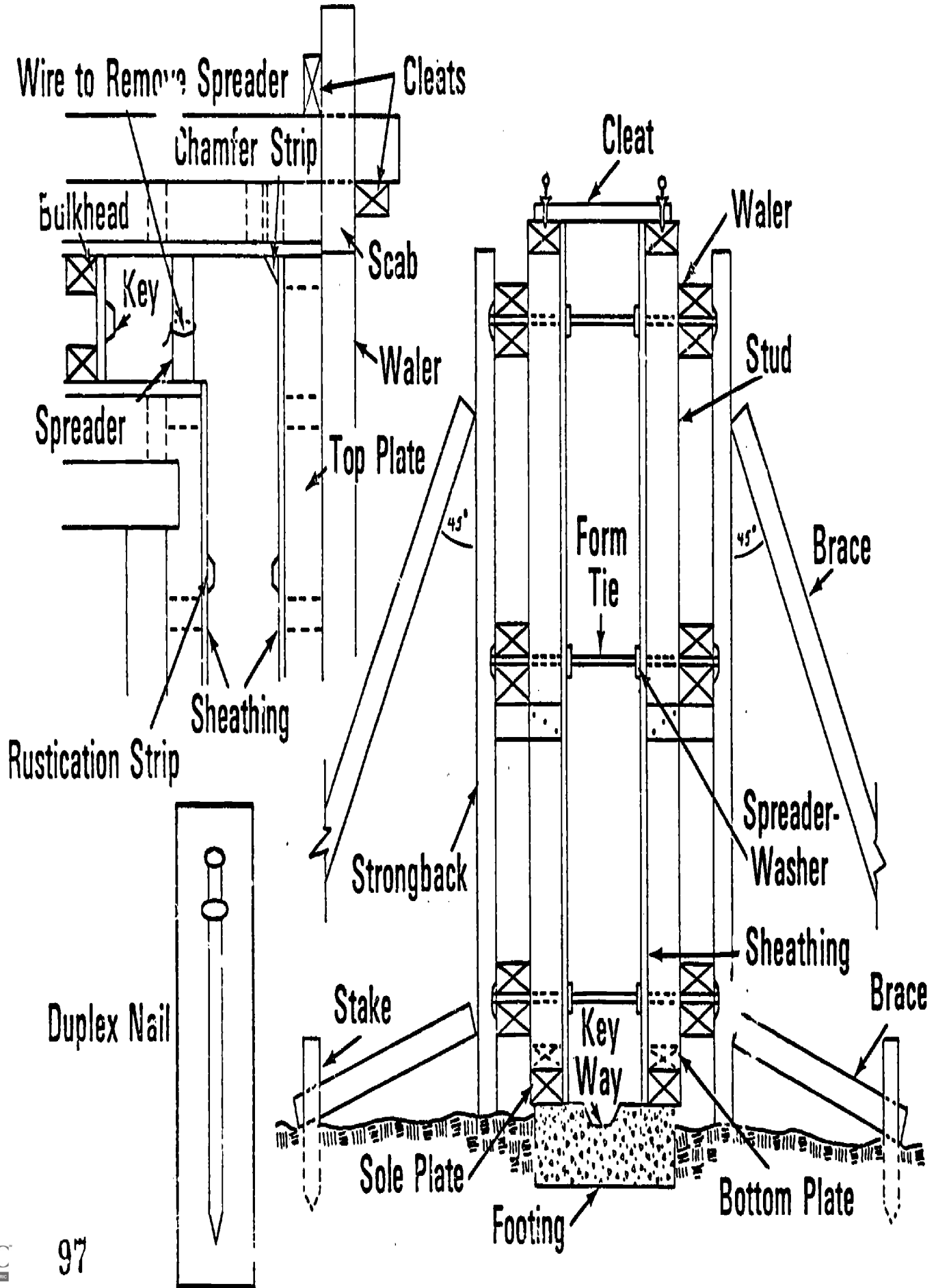


COIL TIE with SEPARATE SPREADER



APPENDIX G
TRANSPARENCY 2

Parts of a Form



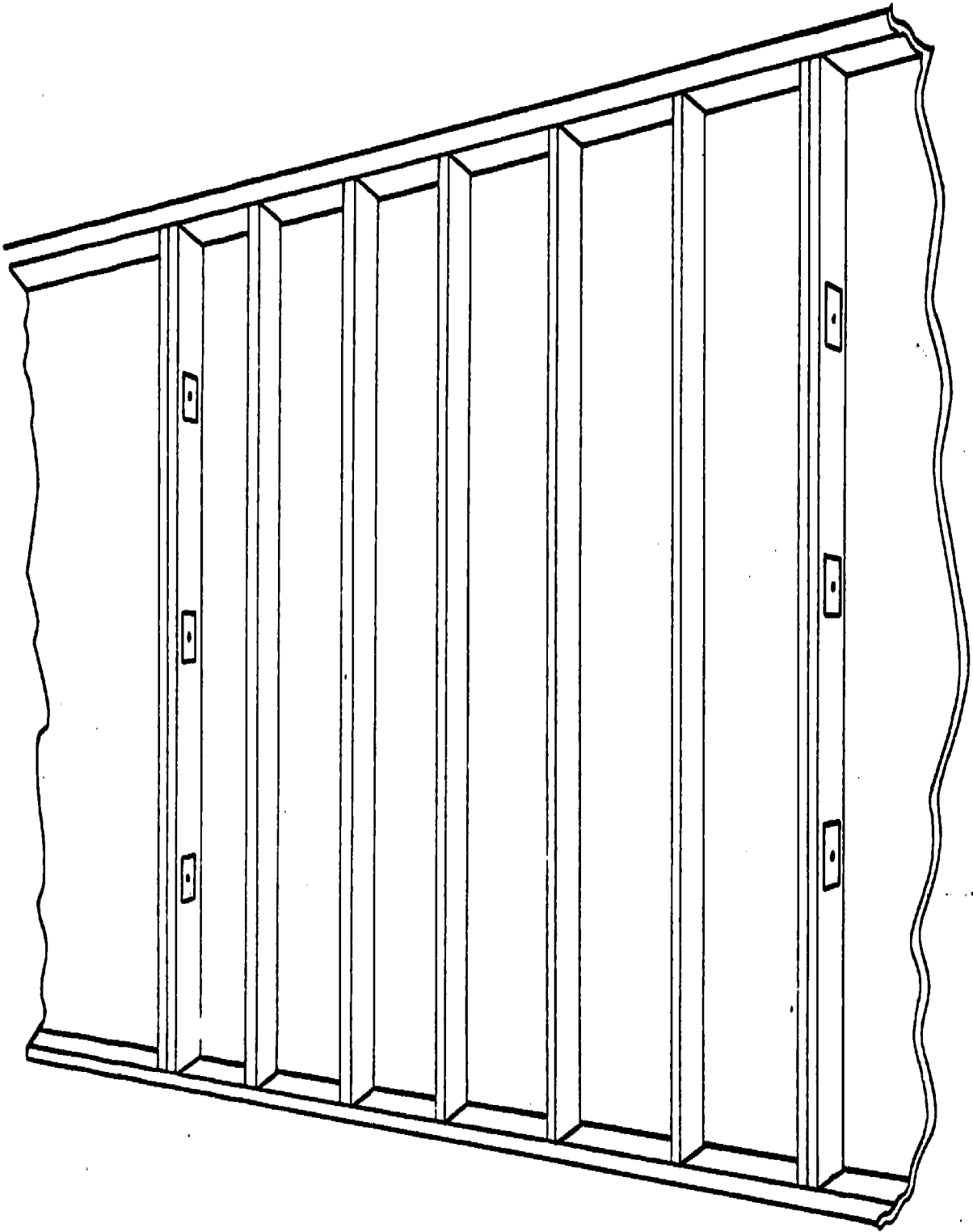
61

97

APPENDIX G
TRANSPARENCY 3

98

Panelized Forms

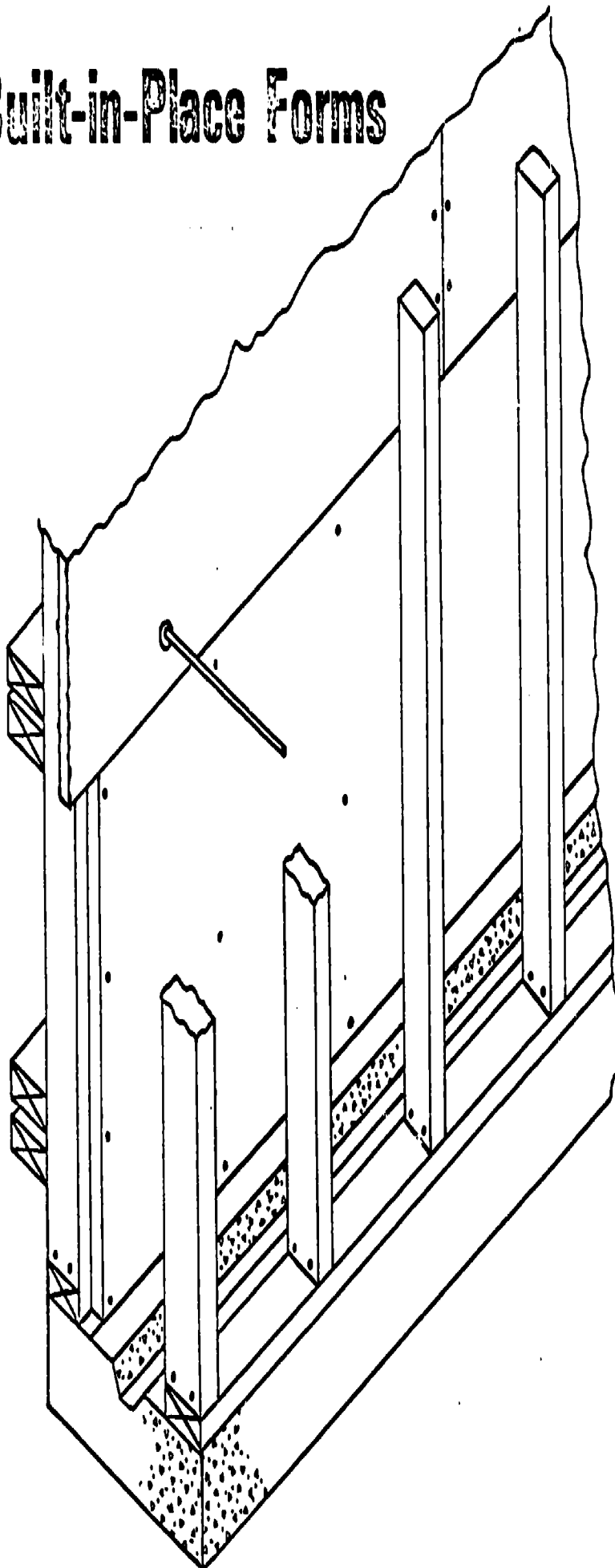


APPENDIX G
TRANSPARENCY 4

100

99

Built-in-Place Forms

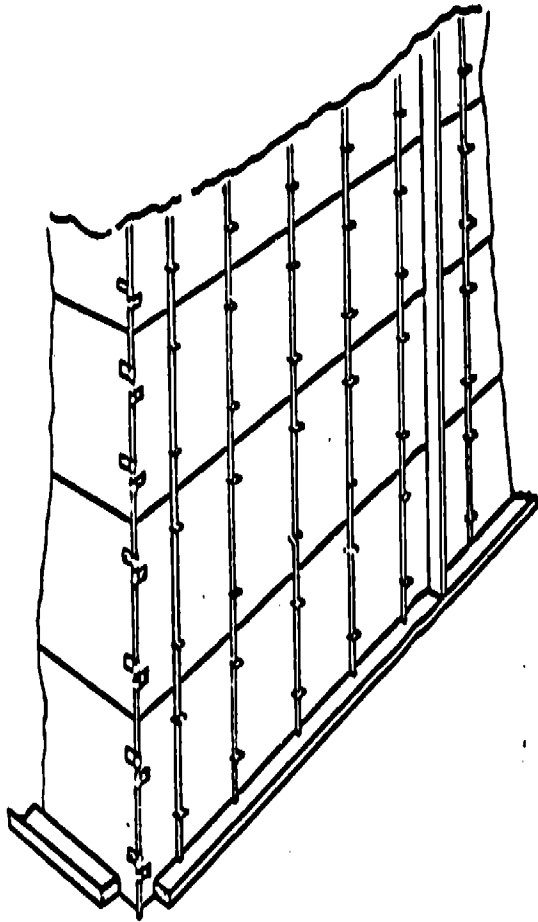


63

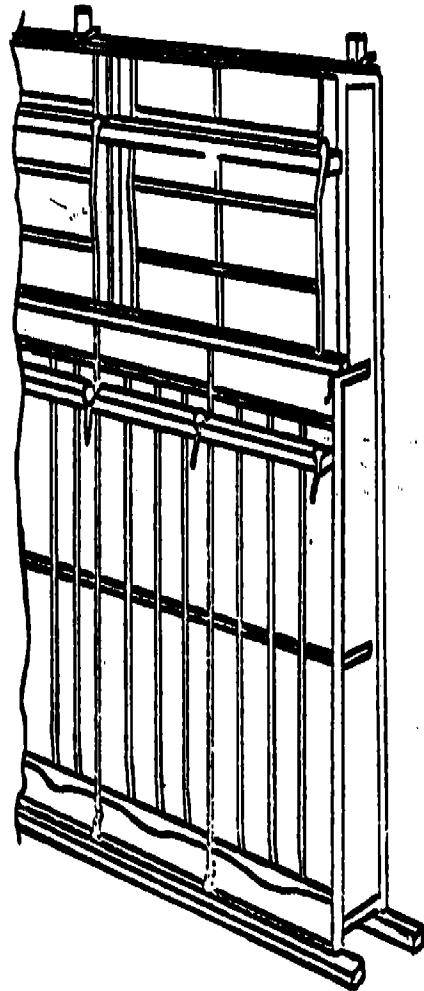
APPENDIX E
TRANSPARENCY 5

102

Patented Forms



Wood



Metal

64

103

APPENDIX G
TRANSPARENCY 6

104

BIBLIOGRAPHY

RESOURCE AND SUPPORTING MATERIALS

Merlin Taylor and Harland Randolph, The Bricklayer Brick and Block Construction. 815 Fifteenth St., N.W., Washington, D.C. 20005, 1976

Curriculum/Instructional Materials Center, Cement Mason's Curriculum, State Dept. of Vocational and Technical Ed. Stillwater Oklahoma

Portland Cement Association, Delmar Publishers, Concrete Technology, 33 West Grand Ave. Chicago, Illinois 60610, 1965

Portland Cement Association, Design and Control of Concrete Mixtures, Portland Cement Association, Illinois 60076, July 1968

Clois E. Kicklighter, Modern Masonry, the GoodHeart-Willcox Co. Inc., South Holland, Illinois, 1977